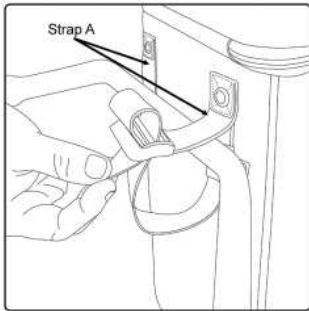


**UTV Hydration/Storage Bag Mounting Instructions**

Please read instructions carefully before installation. We recommend this product be installed by a qualified, and experienced technician. If you are unsure of any of the below directions and or your ability to correctly and securely install this product, please contact us or your local dealer for help. Below diagrams show typical installation, your vehicle may be different so please use diagrams as a guide. Make sure your vehicle is clean and free from dirt, road grime etc. where the this product mounts. It is the riders responsibility to make sure the product is mounted and secure before each use. Loading the bag may result in a change of position, always check for proper mounting position after loading and before each and every ride. This Hydration/Center Storage Bag is designed to be universal mount, so method of installation may vary depending on your vehicle.

Place the Hydration/Storage Bag between UTV seats in either 2 or 4 seat vehicle options. You can use attached straps (Strap A) or included longer straps (Strap B) for mounting. When mounting with the attached straps, pass around a secure part of the vehicle and feed the remaining strap through the buckle on the bag.



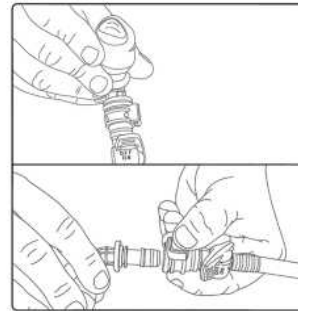
If the longer straps are needed, pass around a secure part of the vehicle, feed the strap through the loop end, and pull tight. Feed the remaining strap through the buckle on the bag.



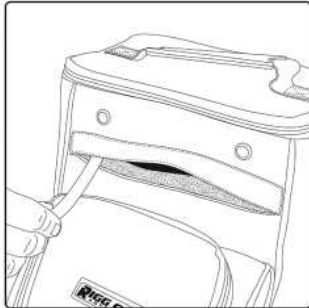
For mounting the bottom of the bag, use "Strap C". Pass the loop end around a secure part of the vehicle, passing the buckle through the loop and pull tight. Repeat with second strap. Connect the male buckles to hydration bag. Pull all straps snug, any extra strap can be folded and tucked inside the provided elastic loops.



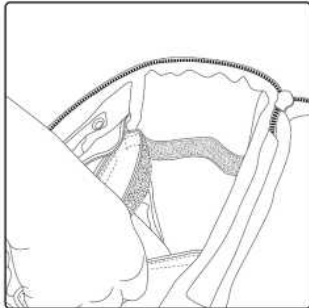
Always clean the hydration bladders after use. To remove the bladders, first ensure the flow control switch is in the off position. Next push the quick disconnect to remove the capped bite valve.



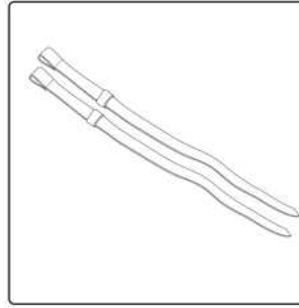
Feed the bladder hose back through the self-fastening closure and remove the bladder.



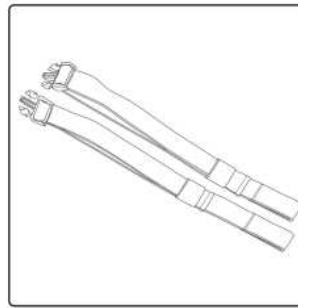
You can remove the liner for cleaning with mild soap and water, (not harsh chemicals) or replacement. The liner is not warranted for puncture holes.



Strap B QTY (2) loop end straps



Strap C QTY (2) loop end straps with quick release buckles



For replacement liners go to [www.nelsonrigg.com](http://www.nelsonrigg.com)

**Warning**  
Read the installation instructions and make yourself familiar with the process of installing the Rigg Gear product(s) on your vehicle. It is your responsibility to install the product(s) correctly and securely as outlined in these instructions. Rigg Gear products must not be overloaded or over tightened. Failure to adhere to these warnings may result in, but not limited to, the product becoming detached, becoming tangled in moving parts of the vehicle, unstable vehicle dynamics, reduction in the ability to control the vehicle. The result(s) could lead to serious injury.  
**Always drive safely. Always wear a helmet and protective apparel.**

3518-A Lake Center Dr Santa Ana, CA 92704  
Tel (714)850-1811 Fax (714)850-1848  
e-mail: [info@nelsonrigg.com](mailto:info@nelsonrigg.com) [www.nelsonrigg.com](http://www.nelsonrigg.com)

